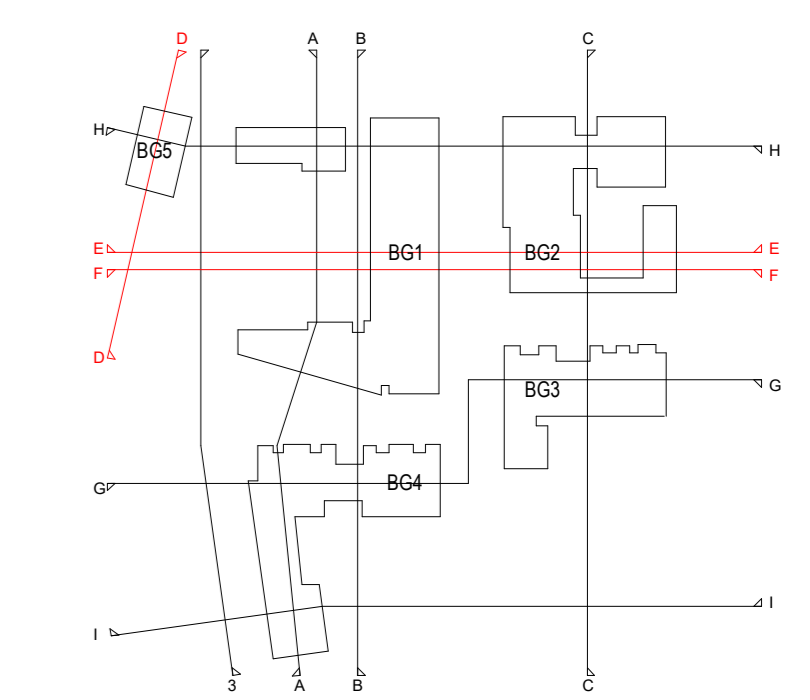
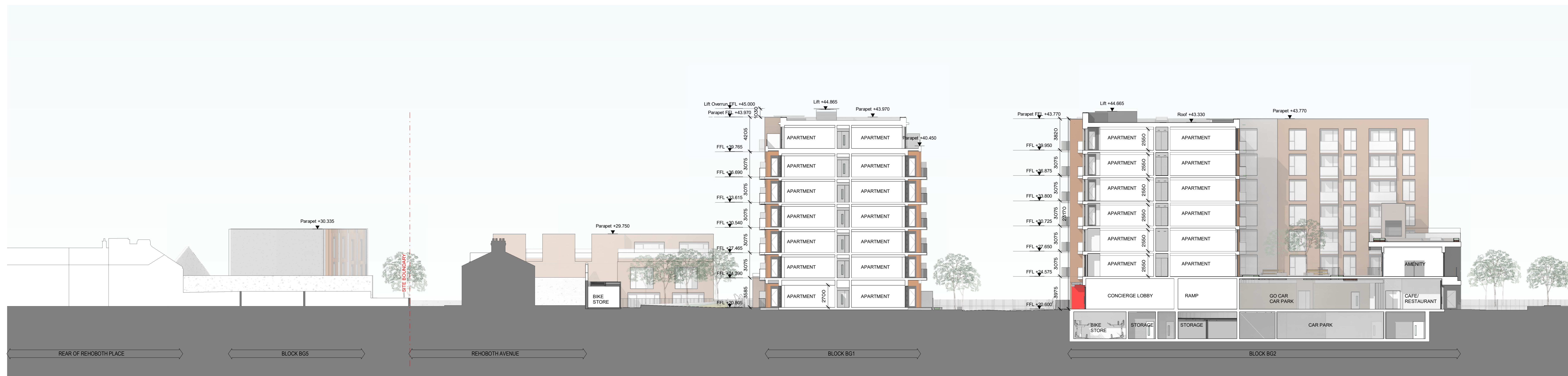


ALL DIMENSIONS TO BE CHECKED ON SITE
NO DIMENSIONS TO BE SCALED FROM THIS DRAWING
DRAWINGS TO BE READ IN CONJUNCTION WITH RELEVANT CONSULTANTS DRAWINGS



1 Section D
1 : 200



2 Section E
1 : 200



3 Section F
1 : 200

REV	DATE	DESCRIPTION	BY	CHK	DRN
P01	03/06/2022	ISSUED FOR PLANNING	EM		

ISSUED FOR PLANNING APPROVAL

CLIENT
CWTC Multi Family ICAV acting solely in respect of its sub fund DBTR SCR1 Fund

PROJECT
Bailey Gibson SHD 2

DRAWING
SITE SECTION D, E & F

PROJECT NUMBER	DATE	
550763	09/03/21	
SCALE @ A2:	DRAWN/CHECKED:	
1 : 200	EM/ BF	
STATUS CODE:	DRAWING NUMBER	REVISION
A1	PL-3001	P01

Henry J Lyons
Architecture + Interiors
henryjlyons.com
+353 1 888 3333
info@henryjlyons.com
51-54 Parnass Street
Dublin D02 X456